

AXOR Urquiola
3-hole basin mixer 50 with escutcheons and pop-up waste set
 Surfaces: **Chrome** Article Number: **11041000**



Description

product features

- consists of: 3-hole basin mixer, waste set
- ComfortZone 50
- projection 180 mm
- normal spray
- flow rate at 3 bar: 5 l/min
- ceramic valves hot/ cold 90°
- suitable for continuous flow water heaters
- pop-up waste set G 1¼
- connection dimension: DN15

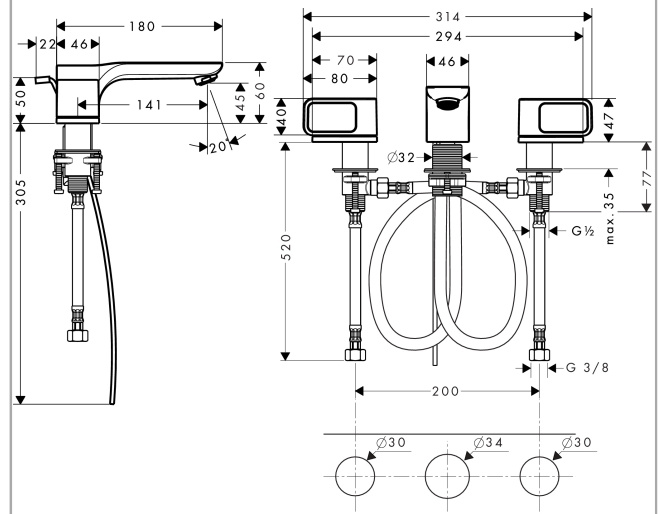
Technology



Product image



Scale drawing



Flowchart

